

Greenled I 2016

Smart Choice for modern work spaces



July 2016

PHILIPS

**Greenled (I) ²⁰¹⁶ family come with
Improved Efficacy and improved
TCO**

Targeted to be sold to

Contractors

End-user doing direct Purchase

Small and Medium Enterprises

Cost Sensitive End-users



GreenLED / LED Down Light Range

Smart Choice for modern work spaces, Value for Money offering

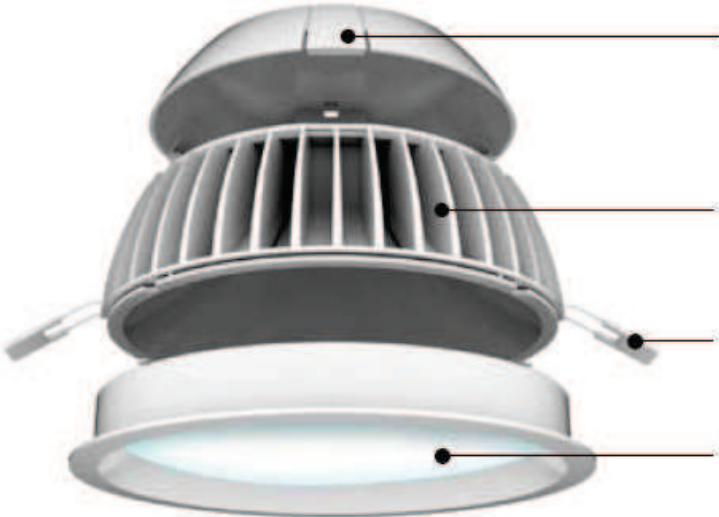


Key Benefits

- Wide range of options for various applications (600 Lumens to 2000 Lumens)
- Compact and integral design for easy of design
- Long Maintenance free service life (30 K burning hrs. @ L70)

Key Product Benefits

Useful life of 30 K hours , Multiple options to choose from



Integrated driver control
GreenLEDi comes with a inbuilt driver control. It is designed for plug and play operation, hence there is no hassle of installing a separate driver which makes the downlighter easy to install.

Efficient heat sink
Optimized design provides sufficient surface area for effective heat dissipation ensuring long service free life.

Stainless steel clips
These clips provides robust yet easy mounting.

Highly efficient diffuser
High quality optics ensures low glare lighting, improving productivity in offices and retail spaces.

Available color temperatures

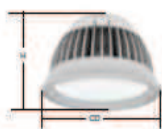




Product Specification

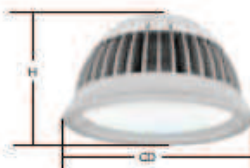
	GreenLED i600 DN 191B	GreenLED i900 DN192B	GreenLED i1200 DN193B	GreenLED i 1500 DN194B	GreenLED i 2000 DN195
LED engine	DLED Micro	DLED Mini	DLED Compact	DLED Power	DLED Power
lumen package	600	1000	1300	1500	2000
CRI	>80	>80	>81	>81	>82
CCT	Warm white: 3000K	Warm white: 3000K	Warm white: 3000K	Warm white: 3000K	Warm white: 3000K
	Neutral white: 4000K	Neutral white: 4000K	Neutral white: 4000K	Neutral white: 4000K	Neutral white: 4000K
	Cool Daylight: 6500K	Cool Daylight: 6500K	Cool Daylight: 6500K	Cool Daylight: 6500K	Cool Daylight: 6500K
Power (4000K)	7w	10w	13w	15w	18
Voltage	220V-240V/50, 60Hz	220V-240V/50, 60Hz	220V-240V/50, 60Hz	220V-240V/50, 60Hz	220V-240V/50, 60Hz
driver	Constant current integrated driver (<10THD)				
optics	high quality diffuser	high quality diffuser	high quality diffuser	high quality diffuser	high quality diffuser
cut-out size	∅ 88 mm	∅ 135 mm	∅ 135 mm	∅ 172 mm	∅ 172 mm
Material	heat sink: die-cast	heat sink: die-cast	heat sink: die-cast	heat sink: die-cast	heat sink: die-cast
	reflector: PC	reflector: PC	reflector: PC	reflector: PC	reflector: PC
	clip: steel	clip: steel	clip: steel	clip: steel	clip: steel
Installation	Spring Clip	Spring Clip	Spring Clip	Spring Clip	Spring Clip

600 Lumens



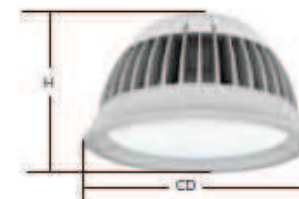
Height (H)
Cutout Dia (CD) 75mm
88mm

1000/1300 Lumens



Height (H)
Cutout Dia (CD) 85mm
135mm

1600 / 2000 Lumens



Height
Cutout Dia 100mm
172mm

Applications



Retail



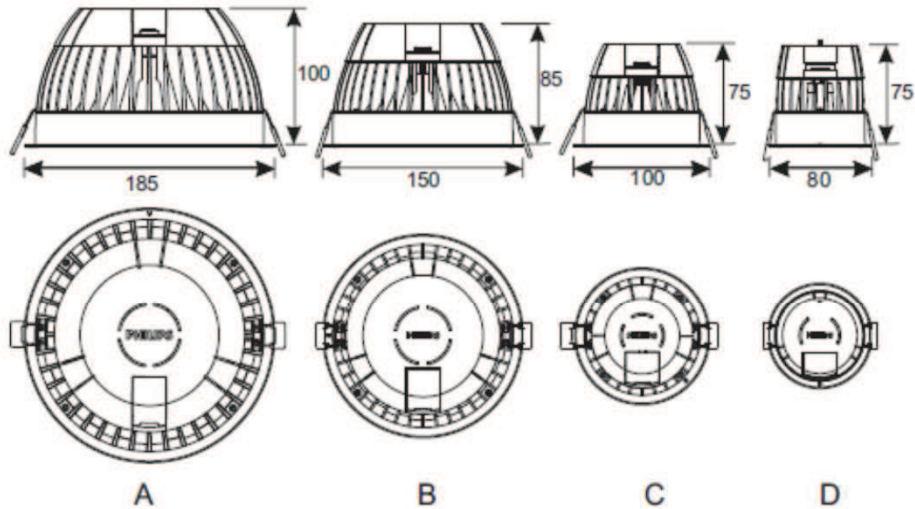
Office



Ordering Codes

Version	Prodcut Description	12 NC	spare Driver 12 NC
600 Lumen	DN191B LED6S-3000 PSU WH	919515810221	TBA
	DN191B LED6S-4000 PSU WH	919515810216	TBA
	DN191B LED6S-6500 PSU WH	919515810211	TBA
1000 Lumen	DN192B LED9S-3000 PSU WH S1	919515810378	441539003578
	DN192B LED9S-4000 PSU WH S1	919515810379	441539003578
	DN192B LED9S-6500 PSU WH S1	919515810380	441539003578
1200 Lumen	DN193B LED12S-3000 PSU WH S1	919515810381	441539003579
	DN193B LED12S-4000 PSU WH S1	919515810382	441539003579
	DN193B LED12S-6500 PSU WH S1	919515810383	441539003579
1600 Lumen	DN194B LED15S-3000 PSU WH S1	919515810384	441539003580
	DN194B LED15S-4000 PSU WH S1	919515810385	441539003580
	DN194B LED15S-6500 PSU WH S1	919515810386	441539003580
2000 Lumen	DN195B LED20S-3000 PSU WH S1	919515810387	441539003581
	DN195B LED20S-4000 PSU WH S1	919515810388	441539003581
	DN195B LED20S-6500 PSU WH S1	919515810389	441539003581

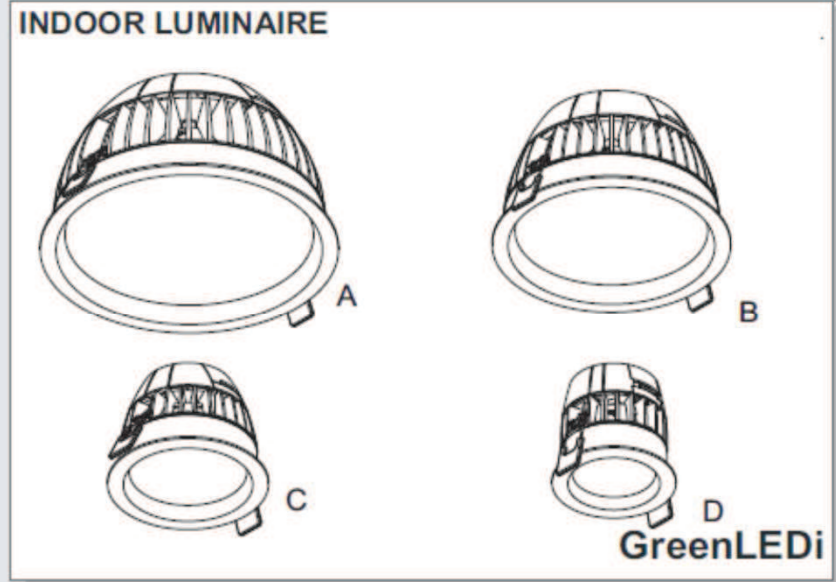
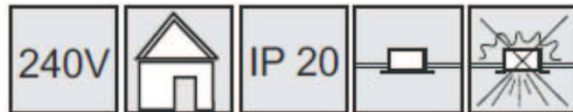
Product Dimension & Mounting Instructions



CEILING CUTOUT: A = Dia. 175±1.0
 B = Dia. 138±1.0
 C = Dia. 90±1.0
 D = Dia. 70±1.0

CEILING THICKNESS : 2.0 TO 15

All Dimensions are in mm

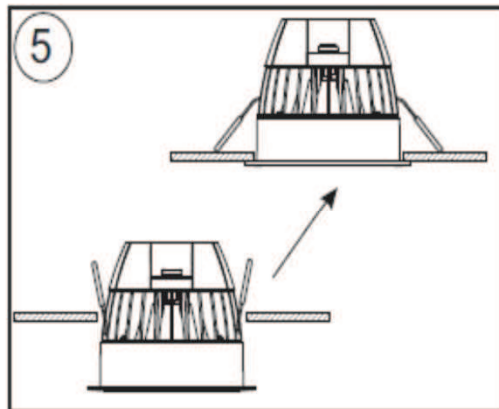
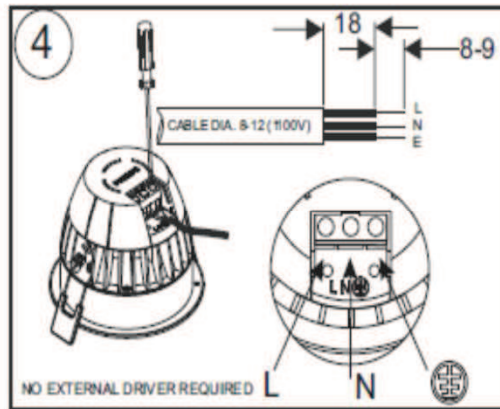
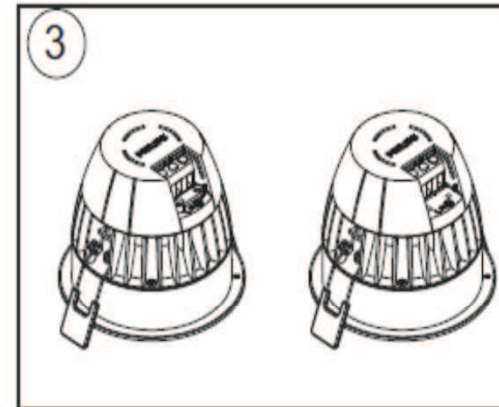
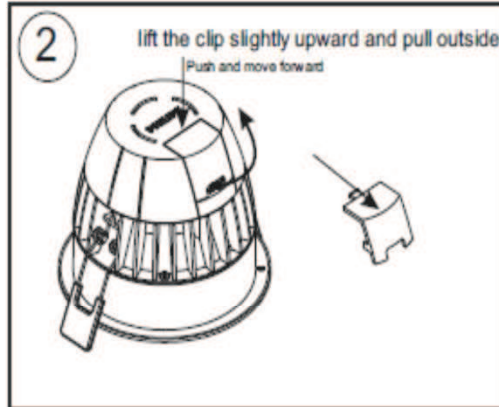
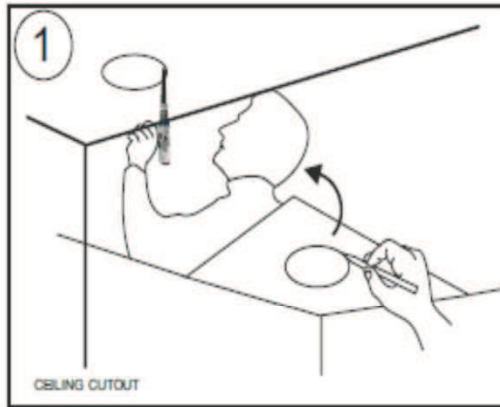


TYPE	DN190B / DN191B / DN192B DN193B / DN194B / DN195B
LAMP	1XLED
CCT	6500K / 4000K / 3000K
IP	20
VOLTAGE	240V ~ 50Hz
APPLICATION	INDOOR USE

4415 109 15970 - APRIL 2013

Product Dimension & Mounting Instructions

MOUNTING INSTRUCTION



IMPORTANT NOTICE:

1. Take out the luminaire from packing box
2. Cut the ceiling as specified dimensions and at a required spacing as shown in fig.1
3. Remove the Mains clip from the product as shown in fig. 2
4. Remove the wire clamp by unscrewing 2 screws fig 3
5. The Luminaire shall be installed by a qualified electrician and wired are in accordance with the latest by IEE regulations or the national requirements as shown in fig. 4
6. The luminaire spring to be push upward and insert through the ceiling cutout as shown in fig 5
7. Do not switch on the luminaire before complete installation

IMPORTANT NOTE:
Input wires(LNE) have to be twisted properly and strands should not be loose

